

PARTS LIST

CAUTION

- The parts identified by the \triangle symbol are important for the safety. Whenever replacing these parts, be sure to use specified ones to secure the safety.
- The parts not indicated in this Parts List and those which are filled with lines — in the Parts No. columns will not be supplied.
- P. W. Board Ass'y will not be supplied, but those which are filled with the Parts No. in the Parts No. columns will be supplied.

ABBREVIATIONS OF RESISTORS, CAPACITORS AND TOLERANCES

RESISTORS		CAPACITORS	
C R	Carbon Resistor	C CAP.	Ceramic Capacitor
F R	Fusible Resistor	E CAP.	Electrolytic Capacitor
P R	Plate Resistor	M CAP.	Mylar Capacitor
V R	Variable Resistor	HV CAP.	High Voltage Capacitor
HV R	High Voltage Resistor	MF CAP.	Metalized Film Capacitor
MF R	Metal Film Resistor	MM CAP.	Metalized Mylar Capacitor
MG R	Metal Glazed Resistor	MP CAP.	Metalized Polystyrol Capacitor
MP R	Metal Plate Resistor	PP CAP.	Polypropylene Capacitor
OM R	Metal Oxide Film Resistor	PS CAP.	Polystyrol Capacitor
CMF R	Coating Metal Film Resistor	TF CAP.	Thin Film Capacitor
UNF R	Non-Flammable Resistor	MPP CAP.	Metalized Polypropylene Capacitor
CH V R	Chip Variable Resistor	TAN. CAP.	Tantalum Capacitor
CH MG R	Chip Metal Glazed Resistor	CH C CAP.	Chip Ceramic Capacitor
COMP. R	Composition Resistor	BP E CAP.	Bi-Polar Electrolytic Capacitor
LPTC R	Linear Positive Temperature Coefficient Resistor	CH AL E CAP.	Chip Aluminum Electrolytic Capacitor
		CH AL BP CAP.	Chip Aluminum Bi-Polar Capacitor
		CH TAN. E CAP.	Chip Tantalum Electrolytic Capacitor
		CH AL BP E CAP.	Chip Tantalum Bi-Polar Electrolytic Capacitor

TOLERANCES									
F	G	J	K	M	N	R	H	Z	P
±1%	±2%	±5%	±10%	±20%	±30%	+30% -10%	+50% -10%	+80% -20%	+100% -0%

CONTENTS

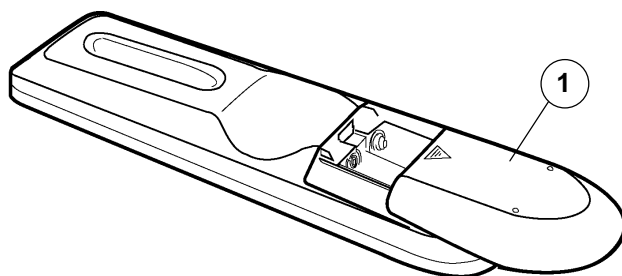
- USING P.W. BOARD & REMOTE CONTROL UNIT 26
- REMOTE CONTROL UNIT PARTS LIST 27
- EXPLODED VIEW PARTS LIST 28
- EXPLODED VIEW 29


- PRINTED WIRING BOARD PARTS LIST
 - MAIN PW BOARD ASS'Y (SFV-1071A-M2) [AV-N29220/R] 30
 - MAIN PW BOARD ASS'Y (SFV-1074A-M2) [AV-N29220/S] 34

- PACKING 38
- PACKING PARTS LIST 38

USING P.W. BOARD & REMOTE CONTROL UNIT

Model	AV-N29220/R	AV-N29220/s
P.W.B ASS'Y		
MAIN P.W.B	SFV-1071A-M2	SFV-1074A-M2
REMOTE CONTROL UNIT	RM-C306-1A	←

REMOTE CONTROL UNIT PARTS LIST (RM-C306-1A)

 Ref.No.	Part No.	Part Name	Description
1	UR52EC1286A	BATTERY COVER	(RM-C306-1A)

EXPLODED VIEW PARTS LIST

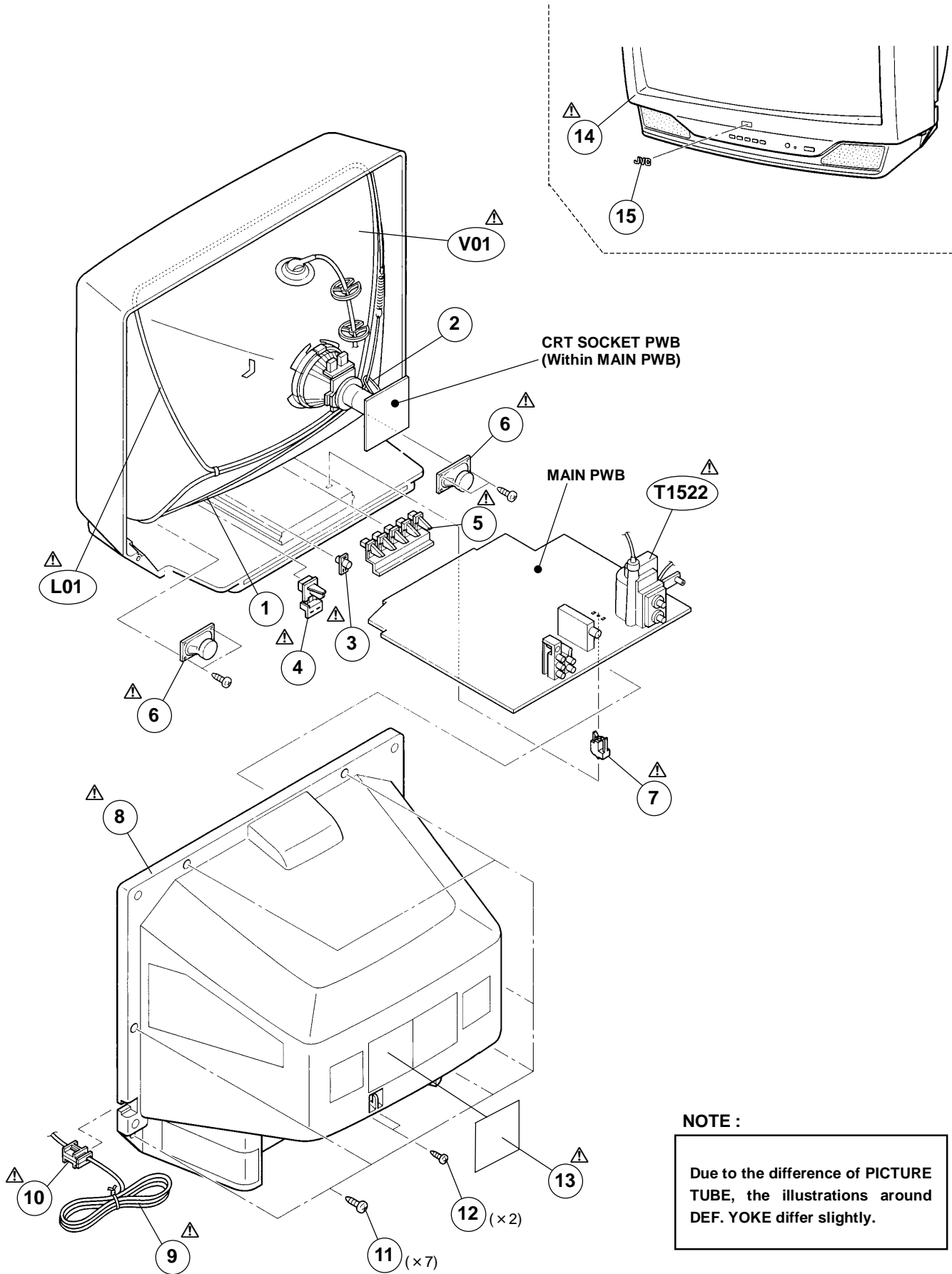
AV-N29220/R

△ Ref.No.	Part No.	Part Name	Description
△ V01	A68ADT25X881	ITC TUBE(C)	Inc.DY
△ L01	CE41329-00DJB	DEG.COIL	
△ T1522	QQH0028-001	H.V.TRANSF.	
△ 1	CHGB0015-0B	BRAIDED WIRE	
△ 2	CHGB0016-0C	BRAIDED WIRE(SUB)	
△ 3	LC30191-001C-A	REMOCON LENS	
△ 4	LC30376-004A-A	POWER KNOB	
△ 5	LC30271-004A-A	PUSH KNOB	
△ 6	QAS0054-001	SPEAKER	(×2)SP01,SP02
△ 7	CM48144-001-A	PWB STOPPER	
△ 8	LC10082-001D-A	REAR COVER	
△ 9	QMPD200-200-JC	POWER CORD	CN10PW (Within MAIN PWB)
△ 10	LC20106-001D-A	POWER CORD CLAMP	
△ 11	QYSBSFG4016Z	TAPPING SCREW	(×7)
△ 12	QYSBSB3010Z	TAPPING SCREW	(×2)
△ 13	GQ20001-001A-A	RATING LABEL	
△ 14	LC10081-006A-A	FRONT CABINET	
△ 15	CM48006-007-C	JVC MARK	

AV- N29220/s

△ Ref.No.	Part No.	Part Name	Description
△ V01	A68QDN891X001	ITC TUBE(C)	Inc.DY
△ L01	CE41329-00DJB	DEG.COIL	
△ T1522	QQH0028-001	H.V.TRANSF.	
△ 1	CHGB0015-0B	BRAIDED WIRE	
△ 2	CHGB0016-0C	BRAIDED WIRE(SUB)	
△ 3	LC30191-001C-A	REMOCON LENS	
△ 4	LC30376-004A-A	POWER KNOB	
△ 5	LC30271-004A-A	PUSH KNOB	
△ 6	QAS0054-001	SPEAKER	(×2)SP01,SP02
△ 7	CM48144-001-A	PWB STOPPER	
△ 8	LC10082-001D-A	REAR COVER	
△ 9	QMPD200-200-JC	POWER CORD	CN10PW(Within MAIN PWB)
△ 10	LC20106-001D-A	POWER CORD CLAMP	
△ 11	QYSBSFG4016Z	TAPPING SCREW	(×7)
△ 12	QYSBSB3010Z	TAPPING SCREW	(×2)
△ 13	GQ20001-001A-A	RATING LABEL	
△ 14	LC10081-006A-A	FRONT CABINET	
△ 15	CM48006-007-C	JVC MARK	

EXPLODED VIEW



NOTE :
Due to the difference of PICTURE TUBE, the illustrations around DEF. YOKE differ slightly.

AV-N29220/R

PRINTED WIRING BOARD PARTS LIST

MAIN P.W. BOARD ASS'Y (SFV-1071A-M2)

△ Symbol No.	Part No.	Part Name	Description
RESISTOR			
R1003-04	NRSA63J-0R0X	MG R	0.0Ω 1/16W J
R1101	NRSA63J-820X	MG R	82Ω 1/16W J
R1102	NRSA63J-562X	MG R	5.6kΩ 1/16W J
R1103	NRSA63J-182X	MG R	1.8kΩ 1/16W J
R1104	QRE121J-101Y	C R	100Ω 1/2W J
R1105	NRSA63J-180X	MG R	18Ω 1/16W J
R1106	NRSA63J-270X	MG R	27Ω 1/16W J
R1131	NRSA63J-271X	MG R	270Ω 1/16W J
R1133	NRSA63J-101X	MG R	100Ω 1/16W J
R1134	NRSA63J-102X	MG R	1kΩ 1/16W J
R1135	NRSA63J-561X	MG R	560Ω 1/16W J
R1136	NRSA63J-182X	MG R	1.8kΩ 1/16W J
R1137	NRSA63J-272X	MG R	2.7kΩ 1/16W J
R1138	NRSA63J-821X	MG R	820Ω 1/16W J
R1139	NRSA63J-0R0X	MG R	0.0Ω 1/16W J
R1142	NRSA63J-101X	MG R	100Ω 1/16W J
R1145	NRSA63J-472X	MG R	4.7kΩ 1/16W J
R1146	NRSA63J-562X	MG R	5.6kΩ 1/16W J
R1161-62	NRSA63J-102X	MG R	1kΩ 1/16W J
R1163	NRSA63J-472X	MG R	4.7kΩ 1/16W J
R1164	NRSA63J-332X	MG R	3.3kΩ 1/16W J
R1165	NRSA63J-0R0X	MG R	0.0Ω 1/16W J
R1201	NRSA63J-0R0X	MG R	0.0Ω 1/16W J
R1203	NRSA63J-102X	MG R	1kΩ 1/16W J
R1204	NRSA63J-681X	MG R	680Ω 1/16W J
R1205	NRSA63J-152X	MG R	1.5kΩ 1/16W J
R1207	NRSA63J-0R0X	MG R	0.0Ω 1/16W J
R1208	NRSA63J-472X	MG R	4.7kΩ 1/16W J
R1209	NRSA63J-471X	MG R	470Ω 1/16W J
R1210	NRSA63J-392X	MG R	3.9kΩ 1/16W J
R1211	NRSA63J-471X	MG R	470Ω 1/16W J
R1212	NRSA63J-103X	MG R	10kΩ 1/16W J
R1213	NRSA63J-391X	MG R	390Ω 1/16W J
R1215	NRSA63J-334X	MG R	330kΩ 1/16W J
R1216	NRSA63J-563X	MG R	56kΩ 1/16W J
R1218	NRSA63J-182X	MG R	1.8kΩ 1/16W J
R1219	NRSA63J-122X	MG R	1.2kΩ 1/16W J
R1220	NRSA63J-561X	MG R	560Ω 1/16W J
R1222	NRSA63J-102X	MG R	1kΩ 1/16W J
R1223	NRSA63J-0R0X	MG R	0.0Ω 1/16W J
R1224	NRSA63J-102X	MG R	1kΩ 1/16W J
R1234	NRSA63J-222X	MG R	2.2kΩ 1/16W J
R1235	NRSA63J-471X	MG R	470Ω 1/16W J
R1237-38	NRSA63J-101X	MG R	100Ω 1/16W J
R1239	NRSA63J-102X	MG R	1kΩ 1/16W J
R1240	NRSA63J-272X	MG R	2.7kΩ 1/16W J
R1241	NRSA63J-102X	MG R	1kΩ 1/16W J
R1242	NRSA63J-101X	MG R	100Ω 1/16W J
R1243	NRSA63J-223X	MG R	22kΩ 1/16W J
R1244	NRSA63J-473X	MG R	47kΩ 1/16W J
R1248	NRSA63J-333X	MG R	33kΩ 1/16W J
R1249	NRSA63J-153X	MG R	15kΩ 1/16W J
R1251	NRSA63J-750X	MG R	75Ω 1/16W J
R1254-55	NRSA63J-750X	MG R	75Ω 1/16W J
R1256	NRSA63J-680X	MG R	68Ω 1/16W J
R1257	NRSA63J-102X	MG R	1kΩ 1/16W J
R1260	NRSA63J-181X	MG R	180Ω 1/16W J
R1261	NRSA63J-182X	MG R	1.8kΩ 1/16W J
R1262	NRSA63J-102X	MG R	1kΩ 1/16W J
R1264	NRSA63J-0R0X	MG R	0.0Ω 1/16W J
R1265	NRSA63J-102X	MG R	1kΩ 1/16W J
R1268	NRSA63J-222X	MG R	2.2kΩ 1/16W J
R1269	NRSA63J-152X	MG R	1.5kΩ 1/16W J
R1270	NRSA63J-182X	MG R	1.8kΩ 1/16W J
R1271	NRSA63J-681X	MG R	680Ω 1/16W J
R1272	NRSA63J-222X	MG R	2.2kΩ 1/16W J
R1273	NRSA63J-472X	MG R	4.7kΩ 1/16W J

△ Symbol No.	Part No.	Part Name	Description
RESISTOR			
R1274	NRSA63J-562X	MG R	5.6kΩ 1/16W J
R1275	NRSA63J-223X	MG R	22kΩ 1/16W J
R1276	NRSA63J-562X	MG R	5.6kΩ 1/16W J
R1277	NRSA63J-272X	MG R	2.7kΩ 1/16W J
R1278	NRSA63J-152X	MG R	1.5kΩ 1/16W J
R1279	NRSA63J-101X	MG R	100Ω 1/16W J
R1285	NRSA63J-101X	MG R	100Ω 1/16W J
R1287	NRSA63J-221X	MG R	220Ω 1/16W J
R1289	NRSA63J-471X	MG R	470Ω 1/16W J
R1290	NRSA63J-563X	MG R	56kΩ 1/16W J
R1291	NRSA63J-473X	MG R	47kΩ 1/16W J
R1293	NRSA63J-821X	MG R	820Ω 1/16W J
R1305	NRSA63J-393X	MG R	39kΩ 1/16W J
R1306	NRSA63J-183X	MG R	18kΩ 1/16W J
R1307	NRSA63J-473X	MG R	47kΩ 1/16W J
R1308	NRSA63J-0R0X	MG R	0.0Ω 1/16W J
R1309	NRSA63J-473X	MG R	47kΩ 1/16W J
R1310	NRSA63J-0R0X	MG R	0.0Ω 1/16W J
R1311	NRSA63J-222X	MG R	2.2kΩ 1/16W J
R1312	NRSA63J-680X	MG R	680Ω 1/16W J
R1351	NRSA63J-471X	MG R	470Ω 1/16W J
R1353	NRSA63J-153X	MG R	15kΩ 1/16W J
R1361	NRSA63J-152X	MG R	1.5kΩ 1/16W J
R1365	NRSA63J-152X	MG R	1.5kΩ 1/16W J
R1366	NRSA63J-563X	MG R	56kΩ 1/16W J
R1367	NRSA63J-333X	MG R	33kΩ 1/16W J
R1371-73	NRSA63J-151X	MG R	150Ω 1/16W J
R1374-76	NRSA63J-331X	MG R	330Ω 1/16W J
R1377-79	NRSA63J-101X	MG R	100Ω 1/16W J
R1380-82	QRZ0111-152	C R	1.5kΩ 1/2W K
R1383-85	QLQ029J-153	OM R	15kΩ 2W J
R1386-88	NRSA63J-272X	MG R	2.7kΩ 1/16W J
R1421	NRSA63J-472X	MG R	4.7kΩ 1/16W J
R1422	QRE121J-561Y	C R	560Ω 1/2W J
R1423	QRX01GJ-1R0	MF R	1.0Ω 1W J
R1424	QRE121J-102Y	C R	1kΩ 1/2W J
R1425	NRSA63J-683X	MG R	68kΩ 1/16W J
R1427	NRSA63J-392X	MG R	3.9kΩ 1/16W J
R1428	NRSA63J-393X	MG R	39kΩ 1/16W J
R1429	NRSA63J-223X	MG R	22kΩ 1/16W J
R1430-31	NRSA63J-0R0X	MG R	0.0Ω 1/16W J
R1433	QRE121J-100Y	C R	10Ω 1/2W J
R1441	QRE121J-102Y	C R	1kΩ 1/2W J
R1501	NRSA63J-361X	MG R	360Ω 1/16W J
R1502	NRSA63J-152X	MG R	1.5kΩ 1/16W J
R1504	NRSA63J-0R0X	MG R	0.0Ω 1/16W J
R1505	NRSA63J-822X	MG R	8.2kΩ 1/16W J
R1506	NRSA63J-222X	MG R	2.2kΩ 1/16W J
R1507	NRSA63J-563X	MG R	56kΩ 1/16W J
R1511	QRE121J-391Y	C R	390Ω 1/2W J
R1522	NRSA63J-391X	MG R	390Ω 1/16W J
R1523	NRSA63J-471X	MG R	470Ω 1/16W J
R1524	QRE121J-271Y	C R	270Ω 1/2W J
R1525	QRG01GJ-220	OM R	22Ω 1W J
R1526	QLQ039J-152	OM R	1.5kΩ 3W J
R1530	QRE121J-681Y	C R	680Ω 1/2W J
R1541	QRTO29J-1R8	MF R	1.8Ω 2W J
R1542	QLQ029J-101	OM R	100Ω 2W J
R1543-44	QRTO39J-1R0	MF R	1.0Ω 3W J
R1546	QLQ029J-220	OM R	22Ω 2W J
R1561	QRK126J-4R7X	C R	4.7Ω 1/2W J
△ R1562	NRZ0032-7151X	MF R	7.15kΩ 1/10W±0.5%
△ R1563	NRZ0032-2941X	MF R	2.94kΩ 1/10W±0.5%
R1564	NRSA63J-153X	MG R	15kΩ 1/16W J
R1565	NRSA63J-0R0X	MG R	0.0Ω 1/16W J
R1566	NRSA63J-333X	MG R	33kΩ 1/16W J
R1567	NRSA63J-392X	MG R	3.9kΩ 1/16W J

AV-N29220/R

△ Symbol No.	Part No.	Part Name	Description
RESISTOR			
R1568	NRSA63J-223X	MG R	22kΩ 1/16W J
R1571	QRX016J-1R5	MF R	1.5Ω 1W J
R1581	QRJ146J-2R2X	C R	2.2Ω 1/4W J
R1582	QRL029J-223	OM R	22kΩ 2W J
R1583	QRE121J-333Y	C R	33kΩ 1/2W J
R1584	QRE121J-393Y	C R	39kΩ 1/2W J
R1585	QRE121J-103Y	C R	10kΩ 1/2W J
R1586	QRE121J-472Y	C R	4.7kΩ 1/2W J
R1615-16	NRSA63J-123X	MG R	12kΩ 1/16W J
R1617	NRSA02J-332X	MG R	3.3kΩ 1/10W J
R1618	NRSA63J-332X	MG R	3.3kΩ 1/16W J
R1619-20	NRSA63J-391X	MG R	390Ω 1/16W J
R1621	QRE121J-4R7Y	C R	4.7Ω 1/2W J
R1622	QRE121J-4R7Y	C R	4.7Ω 1/2W J
R1623	NRSA63J-0R0X	MG R	0.0Ω 1/16W J
R1625	NRSA63J-333X	MG R	33kΩ 1/16W J
R1627	NRSA63J-101X	MG R	100Ω 1/16W J
R1651	NRSA63J-102X	MG R	1kΩ 1/16W J
R1652-53	NRSA63J-682X	MG R	6.8kΩ 1/16W J
R1654	NRSA63J-333X	MG R	33kΩ 1/16W J
R1655	NRSA63J-332X	MG R	3.3kΩ 1/16W J
R1656	NRVA02D-152X	MF R	1.5kΩ 1/10W D
R1658	NRVA02D-153X	MF R	15kΩ 1/10W D
R1660	NRSA63J-512X	MF R	5.1kΩ 1/16W J
R1661	NRSA63J-473X	MG R	47kΩ 1/16W J
R1662-65	NRSA63J-123X	MG R	12kΩ 1/16W J
R1666-67	NRSA63J-562X	MG R	5.6kΩ 1/16W J
R1668	NRSA63J-473X	MG R	47kΩ 1/16W J
R1669-70	NRSA63J-471X	MG R	470Ω 1/16W J
R1671-72	NRSA63J-102X	MG R	1kΩ 1/16W J
R1673-74	NRSA63J-823X	MG R	82kΩ 1/16W J
R1675-76	NRSA63J-181X	MG R	180Ω 1/16W J
R1677	NRSA63J-0R0X	MG R	0.0Ω 1/16W J
R1678-81	NRSA63J-223X	MG R	22kΩ 1/16W J
R1682	NRSA63J-683X	MG R	68kΩ 1/16W J
R1683-84	NRSA63J-561X	MG R	560Ω 1/16W J
R1685-86	NRSA63J-0R0X	MG R	0.0Ω 1/16W J
R1687-88	NRSA63J-102X	MG R	1kΩ 1/16W J
R1691	NRSA63J-563X	MG R	56kΩ 1/16W J
R1701	NRSA63J-563X	MG R	56kΩ 1/16W J
R1702-04	NRSA63J-103X	MG R	10kΩ 1/16W J
R1705	NRSA63J-823X	MG R	82kΩ 1/16W J
R1706	NRSA63J-103X	MG R	10kΩ 1/16W J
R1707	NRSA63J-0R0X	MG R	0.0Ω 1/16W J
R1708-09	NRSA63J-103X	MG R	10kΩ 1/16W J
R1710	NRSA63J-102X	MG R	1kΩ 1/16W J
R1712	NRSA63J-0R0X	MG R	0.0Ω 1/16W J
R1713	NRSA63J-102X	MG R	1kΩ 1/16W J
R1714	NRSA63J-471X	MG R	470Ω 1/16W J
R1715	NRSA63J-105X	MG R	1MΩ 1/16W J
R1716	NRSA63J-154X	MG R	150kΩ 1/16W J
R1717	NRSA63J-563X	MG R	56kΩ 1/16W J
R1719	NRSA63J-102X	MG R	1kΩ 1/16W J
R1721-22	NRSA63J-0R0X	MG R	0.0Ω 1/16W J
R1723	NRSA63J-105X	MG R	1MΩ 1/16W J
R1724	NRSA63J-102X	MG R	1kΩ 1/16W J
R1725	NRSA63J-103X	MG R	10kΩ 1/16W J
R1726	NRSA63J-392X	MG R	3.9kΩ 1/16W J
R1727	NRSA63J-103X	MG R	10kΩ 1/16W J
R1728	NRSA63J-392X	MG R	3.9kΩ 1/16W J
R1729	NRSA63J-153X	MG R	15kΩ 1/16W J
R1730	NRSA63J-682X	MG R	6.8kΩ 1/16W J
R1732	NRSA63J-102X	MG R	1kΩ 1/16W J
R1733	NRSA63J-103X	MG R	10kΩ 1/16W J
R1734	NRSA63J-182X	MG R	1.8kΩ 1/16W J
R1735	NRSA63J-102X	MG R	1kΩ 1/16W J
R1736	NRSA63J-332X	MG R	3.3kΩ 1/16W J
R1737	NRSA63J-472X	MG R	4.7kΩ 1/16W J
R1738	NRSA63J-152X	MG R	1.5kΩ 1/16W J
R1739	NRSA63J-472X	MG R	4.7kΩ 1/16W J
R1740	NRSA63J-152X	MG R	1.5kΩ 1/16W J
R1741	NRSA63J-472X	MG R	4.7kΩ 1/16W J

△ Symbol No.	Part No.	Part Name	Description
RESISTOR			
R1742	NRSA63J-152X	MG R	1.5kΩ 1/16W J
R1743-44	NRSA63J-0R0X	MG R	0.0Ω 1/16W J
R1745-46	NRSA63J-561X	MG R	560Ω 1/16W J
R1747	NRSA63J-0R0X	MG R	0.0Ω 1/16W J
R1751	NRSA63J-103X	MG R	10kΩ 1/16W J
R1752	NRSA63J-472X	MG R	4.7kΩ 1/16W J
R1753	NRSA63J-153X	MG R	15kΩ 1/16W J
R1754	NRSA63J-103X	MG R	10kΩ 1/16W J
R1755	NRSA63J-472X	MG R	4.7kΩ 1/16W J
R1756	NRSA63J-153X	MG R	15kΩ 1/16W J
R1757-58	NRSA63J-122X	MG R	1.2kΩ 1/16W J
R1759	NRSA63J-0R0X	MG R	0.0Ω 1/16W J
R1765-66	NRSA63J-0R0X	MG R	0.0Ω 1/16W J
R1767	NRSA63J-474X	MG R	470kΩ 1/16W J
R1768	NRSA63J-473X	MG R	47kΩ 1/16W J
R1769	NRSA63J-102X	MG R	1kΩ 1/16W J
R1771	NRSA63J-0R0X	MG R	0.0Ω 1/16W J
R1804-06	NRSA63J-101X	MG R	100Ω 1/16W J
△ R1901	QRF074K-1R2	UNF R	1.2Ω 7W K
△ R1921	QRX029J-2R7	MF R	2.7Ω 2W J
R1923	QRJ146J-470X	C R	47Ω 1/4W J
R1924	QRN141J-334Y	C R	330kΩ 1/4W J
R1925	QRN141J-123Y	C R	12kΩ 1/4W J
△ R1926	QRF154J-271	UNF R	270 Ω 15W J
△ R1927	QRF154J-271	UNF R	270 Ω 15W J
R1952	NRSA63J-222X	MG R	2.2kΩ 1/16W J
R1953	NRSA63J-122X	MG R	1.2kΩ 1/16W J
R1954	QRE121J-102Y	C R	1kΩ 1/2W J
R1955	NRSA63J-223X	MG R	22kΩ 1/16W J
R1956	QRE121J-101Y	C R	100Ω 1/2W J
R1957	NRSA63J-222X	MG R	2.2kΩ 1/16W J
R1958	NRSA63J-103X	MG R	10kΩ 1/16W J
△ R1981	QRZ904I-275	C R	2.7MΩ 1/2W K
CAPACITOR			
C1001	QETN1HM-106Z	E CAP.	10μF 50V M
C1003	QETN1AM-477Z	E CAP.	470μF 10V M
C1004	QETN1HM-106Z	E CAP.	10μF 50V M
C1005	NCB31HK-103X	C CAP.	0.01μF 50V K
C1006	QETN1EM-476Z	E CAP.	47μF 25V M
C1011-12	NCB31HK-102X	C CAP.	1000pF 50V K
C1013	NCB31HK-104X	CHIP CAP.	0.1μF 50V K
C1101-04	NCB31HK-103X	C CAP.	0.01μF 50V K
C1105	QETN1CM-107Z	E CAP.	100μF 16V M
C1106	NCB31HK-103X	C CAP.	0.01μF 50V K
C1107	NRSA63J-0R0X	MG R	0.0Ω 1/16W J
C1108	NDC31HJ-680X	C CAP.	680pF 50V J
C1131	QFV71HJ-154Z	MF CAP.	0.15μF 50V J
C1132	NCB31HK-152X	CHIP CAP.	1500pF 50V K
C1133	QETN1HM-474Z	E CAP.	0.47μF 50V M
C1134	NCB31HK-472X	C CAP.	4700pF 50V K
C1135	NCB31HK-103X	C CAP.	0.01μF 50V K
C1138	QETN1EM-476Z	E CAP.	47μF 25V M
C1161	QETN1CM-107Z	E CAP.	100μF 16V M
C1162	NCB31HK-103X	C CAP.	0.01μF 50V K
C1163-64	NDC31HJ-470X	C CAP.	47pF 50V J
C1166	NCB31HK-103X	C CAP.	0.01μF 50V K
C1167	NDC31HJ-470X	C CAP.	47pF 50V J
C1169-70	NCB31HK-103X	C CAP.	0.01μF 50V K
C1205	NDC31HJ-680X	C CAP.	680pF 50V J
C1207	QETN1HM-474Z	E CAP.	0.47μF 50V M
C1208	QETN1HM-106Z	E CAP.	10μF 50V M
C1209-10	QETN1HM-105Z	E CAP.	1μF 50V M
C1212	NCB31HK-104X	CHIP CAP.	0.1μF 50V K
C1214	QETN1HM-106Z	E CAP.	10μF 50V M
C1215	QETN1HM-105Z	E CAP.	1μF 50V M
C1217	QETN1EM-476Z	E CAP.	47μF 25V M
C1252	QETN1HM-106Z	E CAP.	10μF 50V M
C1253	QETN1HM-105Z	E CAP.	1μF 50V M
C1254-55	QETN1HM-106Z	E CAP.	10μF 50V M
C1256	QETN1CM-107Z	E CAP.	100μF 16V M
C1257	NCB31HK-103X	C CAP.	0.01μF 50V K

AV-N29220/R

△ Symbol No.	Part No.	Part Name	Description
CAPACITOR			
C1258	QETN1CM-107Z	E CAP.	100µF 16V M
C1259	QETN1EM-476Z	E CAP.	47µF 25V M
C1260	NCB31HK-103X	C CAP.	0.01µF 50V K
C1261	QETN1EM-476Z	E CAP.	47µF 25V M
C1263	NDC31HJ-181X	C CAP.	180pF 50V J
C1264	QETN1EM-476Z	E CAP.	47µF 25V M
C1265	NCB31HK-103X	C CAP.	0.01µF 50V K
C1266	QENC1EM-106Z	BP E CAP.	10µF 25V M
C1267	NDC31HJ-470X	C CAP.	47pF 50V J
C1268	NDC31HJ-101X	C CAP.	100pF 50V J
C1269	NDC31HJ-181X	C CAP.	180pF 50V J
C1272	NDC31HJ-390X	C CAP.	39pF 50V J
C1274	QETN1HM-105Z	E CAP.	1µF 50V M
C1276	QETN1HM-106Z	E CAP.	10µF 50V M
C1277	QETN1EM-476Z	E CAP.	47µF 25V M
C1278-80	NCB31HK-103X	C CAP.	0.01µF 50V K
C1281	NDC31HJ-150X	C CAP.	15pF 50V J
C1283-86	NCB31HK-103X	C CAP.	0.01µF 50V K
C1287	QETN1HM-474Z	E CAP.	0.47µF 50V M
C1288-90	NCB31HK-103X	C CAP.	0.01µF 50V K
C1291	QETN1EM-476Z	E CAP.	47µF 25V M
C1303	NCB31HK-103X	C CAP.	0.01µF 50V K
C1304	QETN1CM-107Z	E CAP.	100µF 16V M
C1305	NDC31HJ-100X	C CAP.	10pF 50V J
C1306	NCB31HK-223X	CHIP CAP.	0.022µF 50V K
C1307	QETN1HM-474Z	E CAP.	0.47µF 50V M
C1308	NCB31HK-103X	C CAP.	0.01µF 50V K
C1309	NDC31HJ-280X	C CAP.	2.0pF 50V J
C1352	NDC31HJ-680X	C CAP.	68pF 50V J
C1353	NDC31HJ-271X	C CAP.	270pF 50V J
C1356	NCB31HK-104X	CHIP CAP.	0.1µF 50V K
C1374-76	NCS21HJ-561X	C CAP.	560pF 50V J
C1377	QETN1CM-107Z	E CAP.	100µF 16V M
C1391	QETM2EM-226	E CAP.	22µF 250V M
△ C1392	QCZ0121-102	C CAP.	1000pF 3kV Z
C1401	QETN1HM-225Z	E CAP.	2.2µF 50V M
C1402	QBHC1CK-225Z	TAN. CAP.	2.2µF 16V K
C1403	NCB31HK-102X	C CAP.	1000pF 50V K
C1421	NCB31HK-472X	C CAP.	4700pF 50V K
C1424	QEHR1HM-107Z	E CAP.	100µF 50V M
C1425	QEHR1VM-477Z	E CAP.	470µF 35V M
C1426	QFLC2AK-473Z	M CAP.	0.047µF 100V K
C1427	QEHO1EM-228	E CAP.	2200µF 25V M
C1428	QFV21HJ-474Z	MF CAP.	0.47µF 50V J
C1429	QFV21HJ-224Z	MF CAP.	0.22µF 50V J
C1501	QETN1CM-107Z	E CAP.	100µF 16V M
C1502	QETN1HM-106Z	E CAP.	10µF 50V M
C1503	NCB31HK-103X	C CAP.	0.01µF 50V K
C1505	QETN1HM-106Z	E CAP.	10µF 50V M
C1511	QETN1EM-476Z	E CAP.	47µF 25V M
C1521	NCB31HK-332X	CHIP CAP.	3300pF 50V K
C1522	NCB31HK-822X	CHIP CAP.	8200pF 50V K
C1523	QEM61HK-105Z	E CAP.	1µF 50V K
△ C1524	QFZ0198-133	MPP CAP.	0.013µF1.5kVH±3%
△ C1525	QEZO203-107	E CAP.	100µF 160V M
△ C1526	QFZ0119-434	MPP CAP.	0.43µF 200V ±3%
C1527	QCB32HK-561Z	C CAP.	560pF 500V K
C1543	QETN1VM-477Z	E CAP.	470µF 35V M
C1545	QETN1CM-227Z	E CAP.	220µF 16V M
C1546	QETN1CM-477Z	E CAP.	470µF 16V M
C1548	QETN1CM-227Z	E CAP.	220µF 16V M
△ C1561	QETN1HM-106Z	E CAP.	10µF 50V M
C1562	QETN1HM-475Z	E CAP.	4.7µF 50V M
C1563	NCB31HK-103X	C CAP.	0.01µF 50V K
△ C1581	QETN2EM-106Z	E CAP.	10µF 250V M
C1582	NCB31HK-473X	CHIP CAP.	0.047µF 50V K
C1583	QETN1HM-225Z	E CAP.	2.2µF 50V M
C1584	QFLC2AJ-104Z	M CAP.	0.1µF 100V J
C1614	QETN1EM-108Z	E CAP.	1000µF 25V M
C1615	NRSA63J-OROX	MG R	0.0Ω 1/16W J
C1616	QENC1HM-474Z	BP E CAP.	0.47µF 50V M
C1617	QETN1EM-476Z	E CAP.	47µF 25V M
C1618	QETN1CM-107Z	E CAP.	100µF 16V M

△ Symbol No.	Part No.	Part Name	Description
CAPACITOR			
C1619	QETN1CM-477Z	E CAP.	470µF 16V M
C1620	NCB31HK-104X	CHIP CAP.	0.1µF 50V K
C1621	NRSA63J-OROX	MG R	0.0Ω 1/16W J
C1622	QENC1HM-474Z	BP E CAP.	0.47µF 50V M
C1623	QETN1EM-476Z	E CAP.	47µF 25V M
C1624	QETN1CM-107Z	E CAP.	100µF 16V M
C1625	QETN1CM-477Z	E CAP.	470µF 16V M
C1626	NCB31HK-104X	CHIP CAP.	0.1µF 50V K
C1627	QETN1CM-477Z	E CAP.	470µF 16V M
C1651	NCB31HK-103X	C CAP.	0.01µF 50V K
C1652	QETN1CM-107Z	E CAP.	100µF 16V M
C1653	QETN1EM-476Z	E CAP.	47µF 25V M
C1654	NCB31HK-104X	CHIP CAP.	0.1µF 50V K
C1655	QENC1HM-475Z	BP E CAP.	4.7µF 50V M
C1656	QENC1HM-105Z	BP E CAP.	1µF 50V M
C1657	QETN1HM-225Z	E CAP.	2.2µF 50V M
C1658	NCB31HK-473X	CHIP CAP.	0.047µF 50V K
C1659	QETN1HM-474Z	E CAP.	0.47µF 50V M
C1660-61	NCB31HK-104X	CHIP CAP.	0.1µF 50V K
C1662	QBTC1CK-335Z	TAN. CAP.	3.3µF 16V K
C1663	QETN1HM-105Z	E CAP.	1µF 50V M
C1664	QBTC1CK-106Z	TAN. CAP.	10µF 16V K
C1665-66	QETN1HM-105Z	E CAP.	1µF 50V M
C1667	QETN1HM-336Z	E CAP.	33µF 50V M
C1668	QETN1HM-105Z	E CAP.	1µF 50V M
C1669-70	QENC1HM-105Z	BP E CAP.	1µF 50V M
C1671	QETN1HM-225Z	E CAP.	2.2µF 50V M
C1672	NCB31HK-222X	CHIP CAP.	2200pF 50V K
C1673	NCB31HK-104X	CHIP CAP.	0.1µF 50V K
C1674	QETN1HM-225Z	E CAP.	2.2µF 50V M
C1675	NCB31HK-222X	CHIP CAP.	2200pF 50V K
C1676	NCB31HK-104X	CHIP CAP.	0.1µF 50V K
C1679	QETN1HM-105Z	E CAP.	1µF 50V M
C1680	QETN1EM-476Z	E CAP.	47µF 25V M
C1682-83	QETN1HM-474Z	E CAP.	0.47µF 50V M
C1685-86	QETN1HM-106Z	E CAP.	10µF 50V M
C1687-88	NCB31HK-472X	C CAP.	4700pF 50V K
C1689-90	QETN1HM-106Z	E CAP.	10µF 50V M
C1701	NDC31HJ-560X	C CAP.	560pF 50V J
C1703	NCB31HK-102X	C CAP.	1000pF 50V K
C1704	NCB31HK-103X	C CAP.	0.01µF 50V K
C1705	NDC31HJ-151X	C CAP.	150pF 50V J
C1706	NCB31HK-104X	CHIP CAP.	0.1µF 50V K
C1707	QETN1HM-105Z	E CAP.	1µF 50V M
C1708	NCS21HJ-221X	C CAP.	220pF 50V J
C1709	NCS21HJ-102X	C CAP.	1000pF 50V J
C1710	NDC31HJ-681X	C CAP.	680pF 50V J
C1711	QETN1HM-474Z	E CAP.	0.47µF 50V M
C1712	NCB31HK-102X	C CAP.	1000pF 50V K
C1714	NCB31HK-103X	C CAP.	0.01µF 50V K
C1716	QETN1EM-476Z	E CAP.	47µF 25V M
C1717	NCB31HK-104X	CHIP CAP.	0.1µF 50V K
C1718	NCB31HK-103X	C CAP.	0.01µF 50V K
C1719-20	QETN1CM-107Z	E CAP.	100µF 16V M
C1721	NCB31HK-104X	CHIP CAP.	0.1µF 50V K
C1722-23	NDC31HJ-580X	C CAP.	5.0pF 50V J
C1724	NCB31HK-103X	C CAP.	0.01µF 50V K
C1725	QETN1AM-227Z	E CAP.	220µF 10V M
C1726	NDC31HJ-470X	C CAP.	470pF 50V J
C1735	NCB31HK-103X	C CAP.	0.01µF 50V K
C1751	QETN1EM-476Z	E CAP.	47µF 25V M
C1801-03	QENC1HM-474Z	BP E CAP.	0.47µF 50V M
△ C1901	QFZ9040-104	MF CAP.	0.1µF FAC275V M
△ C1902	QFZ9040-473	MF CAP.	0.047µF FAC275V M
△ C1911	QCZ9074-472	C CAP.	4700pFAC250V M
△ C1912	QCZ9074-472	C CAP.	4700pFAC250V M
△ C1913	QCZ9074-472	C CAP.	4700pFAC250V M
△ C1914	QEZO429-477	E CAP.	470µF 200V M
C1921	QEHR2CM-335Z	E CAP.	3.3µF 160V M
C1922	QEHO2CM-336	E CAP.	33µF 160V M
C1951	QETN1EM-227Z	E CAP.	220µF 25V M
C1953	QETN1EM-107Z	E CAP.	100µF 25V M
C1954	NCB31HK-473X	CHIP CAP.	0.047µF 50V K

AV-N29220/R

△ Symbol No.	Part No.	Part Name	Description
CAPACITOR			
C1956	QETN1HM-106Z	E CAP.	10μF 50V M
C1958	QETN1EM-107Z	E CAP.	100μF 25V M
C1959	QETN1HM-226Z	E CAP.	22μF 50V M
△ C1981	QCZ9073-33Z	C CAP.	3300pFAC250V M
TRANSFORMER			
T1131	QQR0907-001	I. F. TRANSFORMER	
T1161	CELTO03-109J3	S. I. F. TRANSF.	
△ T1521	CE41106-00CJ1	DRIVE TRANSF.	
△ T1522	QQH0028-001	H. V. TRANSF.	
△ T1901	QQT0198-001	POWER TRANSF.	
COIL			
L1103	QQL03BJ-5R6Z	COIL	5.6μH J
L1102	QQLZ014-R2Z	PEAKING COIL	
L1104	QQL03BJ-680Z	COIL	68μH J
L1131	QQL03BJ-220Z	COIL	22μH J
L1161	QQL03BJ-680Z	COIL	68μH J
L1162	QQL03BJ-390Z	COIL	39μH J
L1201	QQL03BJ-330Z	COIL	33μH J
L1252-53	QQL29BJ-4R7Z	PEAKING COIL	
L1255	QQL29BJ-6R8Z	PEAKING COIL	
L1256	QQL29BJ-150Z	PEAKING COIL	
L1271	QQL29BJ-150Z	PEAKING COIL	
L1351	QQL29BJ-150Z	PEAKING COIL	
L1391	QQL03BJ-390Z	COIL	39μH J
L1521	CELL004-001	LINEARITY COIL	
L1701	QQL03BJ-4R7Z	COIL	4.7μH J
L1709	QQL03BJ-100Z	COIL	10μH J
DIODE			
D1001	MTZJ33B-T2	ZENER DIODE	
D1003-04	MTZJ9.1C-T2	ZENER DIODE	
D1201	1SS133-T2	SI. DIODE	
D1202	1SS133-T2	SI. DIODE	
D1203	1SS133-T2	SI. DIODE	
D1252-54	MTZJ9.1C-T2	ZENER DIODE	
D1421	1N4003-T2	SI. DIODE	
D1422	MTZJ75-T2	ZENER DIODE	
D1423	1SS133-T2	SI. DIODE	
D1501	MTZJ9.1C-T2	ZENER DIODE	
D1511	MTZJ3.3A-T2	ZENER DIODE	
D1541	RG10J-5025-T3	SI. DIODE	
D1542	1SR35-400A-T2	SI. DIODE	
D1543	RG10J-5025-T3	SI. DIODE	
D1544	RG10J-5025-T3	SI. DIODE	
D1561	1SS81-T2	SI. DIODE	
△ D1562	MA4068N/Z1/-T2	ZENER DIODE	
D1563	1SS133-T2	SI. DIODE	
△ D1581	RH15-T3	SI. DIODE	
D1582	RG10J-5025-T3	SI. DIODE	
D1583	MTZJ9.1C-T2	ZENER DIODE	
D1601	1SS133-T2	SI. DIODE	
D1602	1SS133-T2	SI. DIODE	
D1651-52	MTZJ9.1C-T2	ZENER DIODE	
D1656-57	MTZJ9.1C-T2	ZENER DIODE	
D1659-60	MTZJ9.1C-T2	ZENER DIODE	
D1704	1SS133-T2	SI. DIODE	
D1705	1SS133-T2	SI. DIODE	
D1706	1SS133-T2	SI. DIODE	
D1707	1SS133-T2	SI. DIODE	
D1711	1SS133-T2	SI. DIODE	
D1717-18	MTZJ9.1C-T2	ZENER DIODE	
D1751	SLR-342VR3F	L. E. D.	
D1804	MTZJ5.1B-T2	ZENER DIODE	
D1805	1SS133-T2	SI. DIODE	
△ D1911	D3SB60	BRIDGE DIODE	
D1941-44	1SR35-400A-T2	SI. DIODE	
D1951	MTZJ12C-T2	ZENER DIODE	
D1953	1SR35-400A-T2	SI. DIODE	
D1957	1SS133-T2	SI. DIODE	
D1958	1SS133-T2	SI. DIODE	
TRANSISTOR			
Q1101	2SC5083/L-P/-T	SI. TRANSISTOR	
Q1131-32	2SC2412K/QR/-X	SI. TRANSISTOR	
Q1161	2SC2412K/QR/-X	SI. TRANSISTOR	
Q1201-03	2SC2412K/QR/-X	SI. TRANSISTOR	
Q1262	2SC2412K/QR/-X	SI. TRANSISTOR	
Q1263-64	DTC124EKA-X	DIGI. TRANSISTOR	
Q1271	2SC2412K/QR/-X	SI. TRANSISTOR	

△ Symbol No.	Part No.	Part Name	Description
TRANSISTOR			
Q1273-74	2SC2412K/QR/-X	SI. TRANSISTOR	
Q1276	2SC2412K/QR/-X	SI. TRANSISTOR	
Q1278-79	2SC2412K/QR/-X	SI. TRANSISTOR	
Q1280	2SA1037AK/QR/-X	SI. TRANSISTOR	
Q1282	2SA1037AK/QR/-X	SI. TRANSISTOR	
Q1301	2SC2412K/QR/-X	SI. TRANSISTOR	
Q1351	2SC2412K/QR/-X	SI. TRANSISTOR	
Q1361	2SC2412K/QR/-X	SI. TRANSISTOR	
Q1371-73	2SC4544-LB	SI. TRANSISTOR	
Q1521	2SC2655/Y/-T	SI. TRANSISTOR	
△ Q1522	2SD2499-LB	SI. TRANSISTOR	H. OUT
Q1561	2SC2785/JH/-T	SI. TRANSISTOR	
Q1562	2SA933AS/QR/-T	SI. TRANSISTOR	
Q1602	DTC323TK-X	DIGI. TRANSISTOR	
Q1651-54	2SC2412K/QR/-X	SI. TRANSISTOR	
Q1655	2SA1037AK/QR/-X	SI. TRANSISTOR	
Q1701-03	2SC2412K/QR/-X	SI. TRANSISTOR	
Q1704	DTC323TK-X	DIGI. TRANSISTOR	
Q1951	2SC2412K/QR/-X	SI. TRANSISTOR	
Q1952	2SA966/OY/-T	SI. TRANSISTOR	
Q1953	2SC2412K/QR/-X	SI. TRANSISTOR	
IC			
IC1001	AN7805F	I. C. (MONO-ANA)	
IC1201	TA1242N	I. C. (MONO-ANA)	
IC1251	BA7612N	I. C. (MONO-ANA)	
IC1252	TC90A45P	I. C. (DIGI-MOS)	
IC1253	AN78L05-T	I. C. (MONO-ANA)	
IC1271	TC4066BP/N/	I. C. (DIGI-MOS)	
△ IC1421	LA7832	I. C. (MONO-ANA)	
IC1541	AN7809F	I. C. (MONO-ANA)	
△ IC1602	LA4446	I. C. (MONO-ANA)	
IC1651	UPC1851BCU	I. C. (MONO-ANA)	
IC1652	BA15218N	I. C. (MONO-ANA)	
IC1701	M37272MA-313SP	I. C. (MICRO-COMP)	
IC1702	AT24C02-27220R	I. C.	(SERVICE)
IC1703	L78LR05E-MA	I. C. (MONO-ANA)	
IC1751	GP1U281Q	IFR DETECT UNIT	
△ IC1921	STR30134	I. C. (H)	
IC1951	TA78L009AP-T	I. C. (MONO-ANA)	
OTHERS			
CF1001	LC30190-001B-A	L. E. D. HOLDER	
CF1131	QAX0349-001	CERAMIC FILTER	
CF1161	CE41505-001	CERAMIC FILTER	
CF1501	SFSH4.5MCB	CERAMIC FILTER	
CF1701	CSB503F30-T2	CER. RESONATOR	
CF1702	CST8.00MTW	CER. RESONATOR	
△ CN10PW	QAX0428-001	CER. RESONATOR	
△ QMPD200-200-JC	QMPD200-200-JC	POWER CORD	
△ F1901	QMF0007-6R3J1	FUSE	6.3A
△ F1902	QMF0007-1R25J1	FUSE	1.25A
FC1901	CEMG002-001Z	FUSE CLIP	
FC1902	CEMG002-001Z	FUSE CLIP	
△ FR1720	QRZ9017-820	F. R	82 Ω 1/4W J
J1003	QNZ0454-001	PIN JACK	
J1004	QNN0348-001	PIN JACK	
J1005	QNN0281-003	PIN JACK	
J1006	QNN0281-002	PIN JACK	
J1007	QNN0282-001	PIN JACK	
△ LF1901	QQR0864-002	LINE FILTER	
K1251	CE41433-001Z	BEADS CORE	
K1252	QQR0582-001Z	BEADS CORE	
K1253	CE41433-001Z	BEADS CORE	
K1701	QQR0582-001Z	BEADS CORE	
△ RY1901	QSK0083-001	RELAY	
△ TH1901	CEK007-002	P. THERMISTOR	
△ TU1001	QAU0199-001	TUNER	
S1751	QSW0619-003Z	PUSH SWITCH	MENU
S1752	QSW0619-003Z	PUSH SWITCH	CH-
S1753	QSW0619-003Z	PUSH SWITCH	CH+
S1754	QSW0619-003Z	PUSH SWITCH	VOL-
S1755	QSW0619-003Z	PUSH SWITCH	VOL+
△ S1756	QSW0619-003Z	PUSH SWITCH	POWER
SF1101	CE42589-201	SAW FILTER	
△ SK1371	CE42535-001J1	C. R. T. SOCKET	
△ VA1901	ERZV10V361CS	VARIATOR	
X1301	QAX0310-001Z	CRYSTAL	

AV-N29220/s

PRINTED WIRING BOARD PARTS LIST

MAIN P.W. BOARD ASS'Y (SFV-1074A-M2)

△ Symbol No.	Part No.	Part Name	Description
RESISTOR			
R1003-04	NRSA63J-0R0X	MG R	0.0Ω 1/16W J
R1101	NRSA63J-820X	MG R	82Ω 1/16W J
R1102	NRSA63J-562X	MG R	5.6kΩ 1/16W J
R1103	NRSA63J-182X	MG R	1.8kΩ 1/16W J
R1104	QRE121J-101Y	C R	100Ω 1/2W J
R1105	NRSA63J-180X	MG R	18Ω 1/16W J
R1106	NRSA63J-270X	MG R	27Ω 1/16W J
R1131	NRSA63J-271X	MG R	270Ω 1/16W J
R1133	NRSA63J-101X	MG R	100Ω 1/16W J
R1134	NRSA63J-102X	MG R	1kΩ 1/16W J
R1135	NRSA63J-561X	MG R	560Ω 1/16W J
R1136	NRSA63J-182X	MG R	1.8kΩ 1/16W J
R1137	NRSA63J-272X	MG R	2.7kΩ 1/16W J
R1138	NRSA63J-821X	MG R	820Ω 1/16W J
R1139	NRSA63J-0R0X	MG R	0.0Ω 1/16W J
R1142	NRSA63J-101X	MG R	100Ω 1/16W J
R1145	NRSA63J-472X	MG R	4.7kΩ 1/16W J
R1146	NRSA63J-562X	MG R	5.6kΩ 1/16W J
R1161-62	NRSA63J-102X	MG R	1kΩ 1/16W J
R1163	NRSA63J-472X	MG R	4.7kΩ 1/16W J
R1164	NRSA63J-332X	MG R	3.3kΩ 1/16W J
R1165	NRSA63J-0R0X	MG R	0.0Ω 1/16W J
R1201	NRSA63J-0R0X	MG R	0.0Ω 1/16W J
R1203	NRSA63J-102X	MG R	1kΩ 1/16W J
R1204	NRSA63J-681X	MG R	680Ω 1/16W J
R1205	NRSA63J-152X	MG R	1.5kΩ 1/16W J
R1207	NRSA63J-0R0X	MG R	0.0Ω 1/16W J
R1208	NRSA63J-472X	MG R	4.7kΩ 1/16W J
R1209	NRSA63J-471X	MG R	470Ω 1/16W J
R1210	NRSA63J-392X	MG R	3.9kΩ 1/16W J
R1211	NRSA63J-471X	MG R	470Ω 1/16W J
R1212	NRSA63J-103X	MG R	10kΩ 1/16W J
R1213	NRSA63J-391X	MG R	390Ω 1/16W J
R1215	NRSA63J-334X	MG R	330kΩ 1/16W J
R1216	NRSA63J-563X	MG R	56kΩ 1/16W J
R1218	NRSA63J-182X	MG R	1.8kΩ 1/16W J
R1219	NRSA63J-122X	MG R	1.2kΩ 1/16W J
R1220	NRSA63J-561X	MG R	560Ω 1/16W J
R1222	NRSA63J-102X	MG R	1kΩ 1/16W J
R1223	NRSA63J-0R0X	MG R	0.0Ω 1/16W J
R1224	NRSA63J-102X	MG R	1kΩ 1/16W J
R1234	NRSA63J-222X	MG R	2.2kΩ 1/16W J
R1235	NRSA63J-471X	MG R	470Ω 1/16W J
R1237-38	NRSA63J-101X	MG R	100Ω 1/16W J
R1239	NRSA63J-102X	MG R	1kΩ 1/16W J
R1240	NRSA63J-272X	MG R	2.7kΩ 1/16W J
R1241	NRSA63J-102X	MG R	1kΩ 1/16W J
R1242	NRSA63J-101X	MG R	100Ω 1/16W J
R1243	NRSA63J-223X	MG R	22kΩ 1/16W J
R1244	NRSA63J-473X	MG R	47kΩ 1/16W J
R1248	NRSA63J-333X	MG R	33kΩ 1/16W J
R1249	NRSA63J-153X	MG R	15kΩ 1/16W J
R1251	NRSA63J-750X	MG R	75Ω 1/16W J
R1254-55	NRSA63J-750X	MG R	75Ω 1/16W J
R1256	NRSA63J-680X	MG R	68Ω 1/16W J
R1257	NRSA63J-102X	MG R	1kΩ 1/16W J
R1260	NRSA63J-181X	MG R	180Ω 1/16W J
R1261	NRSA63J-182X	MG R	1.8kΩ 1/16W J
R1262	NRSA63J-102X	MG R	1kΩ 1/16W J
R1264	NRSA63J-0R0X	MG R	0.0Ω 1/16W J
R1265	NRSA63J-102X	MG R	1kΩ 1/16W J
R1268	NRSA63J-222X	MG R	2.2kΩ 1/16W J
R1269	NRSA63J-152X	MG R	1.5kΩ 1/16W J
R1270	NRSA63J-182X	MG R	1.8kΩ 1/16W J
R1271	NRSA63J-681X	MG R	680Ω 1/16W J
R1272	NRSA63J-222X	MG R	2.2kΩ 1/16W J
R1273	NRSA63J-472X	MG R	4.7kΩ 1/16W J
R1274	NRSA63J-562X	MG R	5.6kΩ 1/16W J

△ Symbol No.	Part No.	Part Name	Description
RESISTOR			
R1275	NRSA63J-223X	MG R	22kΩ 1/16W J
R1276	NRSA63J-562X	MG R	5.6kΩ 1/16W J
R1277	NRSA63J-272X	MG R	2.7kΩ 1/16W J
R1278	NRSA63J-152X	MG R	1.5kΩ 1/16W J
R1279	NRSA63J-101X	MG R	100Ω 1/16W J
R1285	NRSA63J-101X	MG R	100Ω 1/16W J
R1287	NRSA63J-221X	MG R	220Ω 1/16W J
R1289	NRSA63J-471X	MG R	470Ω 1/16W J
R1290	NRSA63J-563X	MG R	56kΩ 1/16W J
R1291	NRSA63J-473X	MG R	47kΩ 1/16W J
R1293	NRSA63J-821X	MG R	820Ω 1/16W J
R1305	NRSA63J-393X	MG R	39kΩ 1/16W J
R1306	NRSA63J-183X	MG R	18kΩ 1/16W J
R1307	NRSA63J-473X	MG R	47kΩ 1/16W J
R1308	NRSA63J-0R0X	MG R	0.0Ω 1/16W J
R1309	NRSA63J-473X	MG R	47kΩ 1/16W J
R1310	NRSA63J-0R0X	MG R	0.0Ω 1/16W J
R1311	NRSA63J-222X	MG R	2.2kΩ 1/16W J
R1312	NRSA63J-680X	MG R	68Ω 1/16W J
R1351	NRSA63J-471X	MG R	470Ω 1/16W J
R1353	NRSA63J-153X	MG R	15kΩ 1/16W J
R1361	NRSA63J-152X	MG R	1.5kΩ 1/16W J
R1365	NRSA63J-152X	MG R	1.5kΩ 1/16W J
R1366	NRSA63J-563X	MG R	56kΩ 1/16W J
R1367	NRSA63J-333X	MG R	33kΩ 1/16W J
R1371-73	NRSA63J-151X	MG R	150Ω 1/16W J
R1374-76	NRSA63J-331X	MG R	330Ω 1/16W J
R1377-79	NRSA63J-101X	MG R	100Ω 1/16W J
R1380-82	QRZ0111-152	C R	1.5kΩ 1/2W K
R1383-85	QRL029J-153	OM R	15kΩ 2W J
R1386-88	NRSA63J-272X	MG R	2.7kΩ 1/16W J
R1421	NRSA63J-472X	MG R	4.7kΩ 1/16W J
R1422	QRE121J-561Y	C R	560Ω 1/2W J
R1423	QRX01GJ-1R0	MF R	1.0Ω 1W J
R1424	QRE121J-102Y	C R	1kΩ 1/2W J
R1425	NRSA63J-683X	MG R	68kΩ 1/16W J
R1427	NRSA63J-392X	MG R	3.9kΩ 1/16W J
R1428	NRSA63J-393X	MG R	39kΩ 1/16W J
R1429	NRSA63J-223X	MG R	22kΩ 1/16W J
R1430-31	NRSA63J-0R0X	MG R	0.0Ω 1/16W J
R1433	QRE121J-100Y	C R	10Ω 1/2W J
R1441	QRE121J-102Y	C R	1kΩ 1/2W J
R1501	NRSA02J-361X	MG R	360Ω 1/10W J
R1502	NRSA63J-152X	MG R	1.5kΩ 1/16W J
R1504	NRSA63J-0R0X	MG R	0.0Ω 1/16W J
R1505	NRSA63J-822X	MG R	8.2kΩ 1/16W J
R1506	NRSA63J-222X	MG R	2.2kΩ 1/16W J
R1507	NRSA63J-563X	MG R	56kΩ 1/16W J
R1511	QRE121J-391Y	C R	390Ω 1/2W J
R1522	NRSA63J-391X	MG R	390Ω 1/16W J
R1523	NRSA63J-471X	MG R	470Ω 1/16W J
R1524	QRE121J-271Y	C R	270Ω 1/2W J
R1525	QRG01GJ-220	OM R	22Ω 1W J
R1526	QRL039J-152	OM R	1.5kΩ 3W J
R1530	QRE121J-681Y	C R	680Ω 1/2W J
R1541	QRT029J-1R8	MF R	1.8Ω 2W J
R1542	QRL029J-101	OM R	100Ω 2W J
R1543-44	QRT039J-1R0	MF R	1.0Ω 3W J
R1546	QRL029J-220	OM R	22Ω 2W J
R1561	QRK126J-4R7X	C R	4.7Ω 1/2W J
△ R1562	NRZ0032-7151X	MF R	7.15kΩ 1/10W±0.5%
△ R1563	NRZ0032-2941X	MF R	2.94kΩ 1/10W±0.5%
R1564	NRSA63J-153X	MG R	15kΩ 1/16W J
R1565	NRSA63J-0R0X	MG R	0.0Ω 1/16W J
R1566	NRSA63J-333X	MG R	33kΩ 1/16W J
R1567	NRSA63J-392X	MG R	3.9kΩ 1/16W J
R1568	NRSA63J-223X	MG R	22kΩ 1/16W J
R1571	QRX01GJ-3R3	MF R	3.3Ω 1W J

AV-N29220/s

△ Symbol No.	Part No.	Part Name	Description
RESISTOR			
R1581	QRJ146J-2R2X	C R	2.2Ω 1/4W J
R1582	QRL029J-223	OM R	22kΩ 2W J
R1583	QRE121J-333Y	C R	33kΩ 1/2W J
R1584	QRE121J-393Y	C R	39kΩ 1/2W J
R1585	QRE121J-103Y	C R	10kΩ 1/2W J
R1586	QRE121J-472Y	C R	4.7kΩ 1/2W J
R1615-16	NRSA63J-123X	MG R	12kΩ 1/16W J
R1617-18	NRSA63J-332X	MG R	3.3kΩ 1/16W J
R1619-20	NRSA63J-391X	MG R	390Ω 1/16W J
R1621	QRE121J-4R7Y	C R	4.7Ω 1/2W J
R1622	QRE121J-4R7Y	C R	4.7Ω 1/2W J
R1623	NRSA63J-0R0X	MG R	0.0Ω 1/16W J
R1625	NRSA63J-333X	MG R	33kΩ 1/16W J
R1627	NRSA63J-101X	MG R	100Ω 1/16W J
R1651	NRSA63J-102X	MG R	1kΩ 1/16W J
R1652-53	NRSA63J-682X	MG R	6.8kΩ 1/16W J
R1654	NRSA63J-333X	MG R	33kΩ 1/16W J
R1655	NRSA63J-332X	MG R	3.3kΩ 1/16W J
R1656	NRVA02D-152X	MF R	1.5kΩ 1/10W D
R1658	NRVA02D-153X	MF R	15kΩ 1/10W D
R1660	NRSA63J-512X	MG R	5.1kΩ 1/16W J
R1661	NRSA63J-473X	MG R	47kΩ 1/16W J
R1662-65	NRSA63J-123X	MG R	12kΩ 1/16W J
R1666-67	NRSA63J-562X	MG R	5.6kΩ 1/16W J
R1668	NRSA63J-473X	MG R	47kΩ 1/16W J
R1669-70	NRSA63J-471X	MG R	470Ω 1/16W J
R1671-72	NRSA63J-102X	MG R	1kΩ 1/16W J
R1673-74	NRSA63J-823X	MG R	82kΩ 1/16W J
R1675-76	NRSA63J-181X	MG R	180Ω 1/16W J
R1677	NRSA63J-0R0X	MG R	0.0Ω 1/16W J
R1678-81	NRSA63J-223X	MG R	22kΩ 1/16W J
R1682	NRSA63J-683X	MG R	68kΩ 1/16W J
R1683-84	NRSA63J-561X	MG R	560Ω 1/16W J
R1685-86	NRSA63J-0R0X	MG R	0.0Ω 1/16W J
R1687-88	NRSA63J-102X	MG R	1kΩ 1/16W J
R1691	NRSA63J-563X	MG R	56kΩ 1/16W J
R1701	NRSA63J-563X	MG R	56kΩ 1/16W J
R1702-04	NRSA63J-103X	MG R	10kΩ 1/16W J
R1705	NRSA63J-823X	MG R	82kΩ 1/16W J
R1706	NRSA63J-103X	MG R	10kΩ 1/16W J
R1707	NRSA63J-0R0X	MG R	0.0Ω 1/16W J
R1708-09	NRSA63J-103X	MG R	10kΩ 1/16W J
R1710	NRSA63J-102X	MG R	1kΩ 1/16W J
R1712	NRSA63J-0R0X	MG R	0.0Ω 1/16W J
R1713	NRSA63J-102X	MG R	1kΩ 1/16W J
R1714	NRSA63J-471X	MG R	470Ω 1/16W J
R1715	NRSA63J-105X	MG R	1MΩ 1/16W J
R1716	NRSA63J-154X	MG R	150kΩ 1/16W J
R1717	NRSA63J-563X	MG R	56kΩ 1/16W J
R1719	NRSA63J-102X	MG R	1kΩ 1/16W J
R1721-22	NRSA63J-0R0X	MG R	0.0Ω 1/16W J
R1723	NRSA63J-105X	MG R	1MΩ 1/16W J
R1724	NRSA63J-102X	MG R	1kΩ 1/16W J
R1725	NRSA63J-103X	MG R	10kΩ 1/16W J
R1726	NRSA63J-392X	MG R	3.9kΩ 1/16W J
R1727	NRSA63J-103X	MG R	10kΩ 1/16W J
R1728	NRSA63J-392X	MG R	3.9kΩ 1/16W J
R1729	NRSA63J-153X	MG R	15kΩ 1/16W J
R1730	NRSA63J-682X	MG R	6.8kΩ 1/16W J
R1732	NRSA02J-102X	MG R	1kΩ 1/10W J
R1733	NRSA63J-103X	MG R	10kΩ 1/16W J
R1734	NRSA63J-182X	MG R	1.8kΩ 1/16W J
R1735	NRSA63J-102X	MG R	1kΩ 1/16W J
R1736	NRSA63J-332X	MG R	3.3kΩ 1/16W J
R1737	NRSA63J-472X	MG R	4.7kΩ 1/16W J
R1738	NRSA63J-152X	MG R	1.5kΩ 1/16W J
R1739	NRSA63J-472X	MG R	4.7kΩ 1/16W J
R1740	NRSA63J-152X	MG R	1.5kΩ 1/16W J
R1741	NRSA63J-472X	MG R	4.7kΩ 1/16W J
R1742	NRSA63J-152X	MG R	1.5kΩ 1/16W J
R1743-44	NRSA63J-0R0X	MG R	0.0Ω 1/16W J
R1745-46	NRSA63J-561X	MG R	560Ω 1/16W J

△ Symbol No.	Part No.	Part Name	Description
RESISTOR			
R1747	NRSA63J-0R0X	MG R	0.0Ω 1/16W J
R1751	NRSA63J-103X	MG R	10kΩ 1/16W J
R1752	NRSA63J-472X	MG R	4.7kΩ 1/16W J
R1753	NRSA63J-153X	MG R	15kΩ 1/16W J
R1754	NRSA63J-103X	MG R	10kΩ 1/16W J
R1755	NRSA63J-472X	MG R	4.7kΩ 1/16W J
R1756	NRSA63J-153X	MG R	15kΩ 1/16W J
R1757-58	NRSA63J-122X	MG R	1.2kΩ 1/16W J
R1759	NRSA63J-0R0X	MG R	0.0Ω 1/16W J
R1765-66	NRSA63J-0R0X	MG R	0.0Ω 1/16W J
R1767	NRSA63J-474X	MG R	470kΩ 1/16W J
R1768	NRSA63J-473X	MG R	47kΩ 1/16W J
R1769	NRSA63J-102X	MG R	1kΩ 1/16W J
R1771	NRSA63J-0R0X	MG R	0.0Ω 1/16W J
R1804-06	NRSA63J-101X	MG R	100Ω 1/16W J
△ R1901	QRF074K-1R2	UNF R	1.2Ω 7W K
△ R1921	QRX029J-2R7	MF R	2.7Ω 2W J
R1923	QRJ146J-470X	C R	47Ω 1/4W J
R1924	QRN141J-334Y	C R	330kΩ 1/4W J
R1925	QRN141J-123Y	C R	12kΩ 1/4W J
△ R1926	QRF154J-271	UNF R	270 Ω 15W J
△ R1927	QRF154J-271	UNF R	270 Ω 15W J
R1952	NRSA63J-222X	MG R	2.2kΩ 1/16W J
R1953	NRSA63J-122X	MG R	1.2kΩ 1/16W J
R1954	QRE121J-102Y	C R	1kΩ 1/2W J
R1955	NRSA63J-223X	MG R	22kΩ 1/16W J
R1956	QRE121J-101Y	C R	100Ω 1/2W J
R1957	NRSA63J-222X	MG R	2.2kΩ 1/16W J
R1958	NRSA63J-103X	MG R	10kΩ 1/16W J
△ R1981	QRZ9041-275	C R	2.7MΩ 1/2W K

CAPACITOR

C1001	QETN1HM-106Z	E CAP.	10μF 50V M
C1003	QETN1AM-477Z	E CAP.	470μF 10V M
C1004	QETN1HM-106Z	E CAP.	10μF 50V M
C1005	NCB31HK-103X	C CAP.	0.01μF 50V K
C1006	QETN1EM-476Z	E CAP.	47μF 25V M
C1011-12	NCB31HK-102X	C CAP.	1000pF 50V K
C1013	NCB31HK-104X	CHIP CAP.	0.1μF 50V K
C1101-04	NCB31HK-103X	C CAP.	0.01μF 50V K
C1105	QETN1CM-107Z	E CAP.	100μF 16V M
C1106	NCB31HK-103X	C CAP.	0.01μF 50V K
C1107	NRSA63J-0R0X	MG R	0.0Ω 1/16W J
C1108	NDC31HJ-680X	C CAP.	68pF 50V J
C1131	QFV71HJ-154Z	MF CAP.	0.15μF 50V J
C1132	NCB31HK-152X	CHIP CAP.	1500pF 50V K
C1133	QETN1HM-474Z	E CAP.	0.47μF 50V M
C1134	NCB31HK-472X	C CAP.	4700pF 50V K
C1135	NCB31HK-103X	C CAP.	0.01μF 50V K
C1138	QETN1EM-476Z	E CAP.	47μF 25V M
C1161	QETN1CM-107Z	E CAP.	100μF 16V M
C1162	NCB31HK-103X	C CAP.	0.01μF 50V K
C1163-64	NDC31HJ-470X	C CAP.	47pF 50V J
C1166	NCB31HK-103X	C CAP.	0.01μF 50V K
C1167	NDC31HJ-470X	C CAP.	47pF 50V J
C1169-70	NCB31HK-103X	C CAP.	0.01μF 50V K
C1205	NDC31HJ-680X	C CAP.	68pF 50V J
C1207	QETN1HM-474Z	E CAP.	0.47μF 50V M
C1208	QETN1HM-106Z	E CAP.	10μF 50V M
C1209-10	QETN1HM-105Z	E CAP.	1μF 50V M
C1212	NCB31HK-104X	CHIP CAP.	0.1μF 50V K
C1214	QETN1HM-106Z	E CAP.	10μF 50V M
C1215	QETN1HM-105Z	E CAP.	1μF 50V M
C1217	QETN1EM-476Z	E CAP.	47μF 25V M
C1252	QETN1HM-106Z	E CAP.	10μF 50V M
C1253	QETN1HM-105Z	E CAP.	1μF 50V M
C1254-55	QETN1HM-106Z	E CAP.	10μF 50V M
C1256	QETN1CM-107Z	E CAP.	100μF 16V M
C1257	NCB31HK-103X	C CAP.	0.01μF 50V K
C1258	QETN1CM-107Z	E CAP.	100μF 16V M
C1259	QETN1EM-476Z	E CAP.	47μF 25V M
C1260	NCB31HK-103X	C CAP.	0.01μF 50V K

AV-N29220/s

Symbol No.	Part No.	Part Name	Description
CAPACITOR			
C1261	QETN1EM-476Z	E CAP.	47µF 25V M
C1263	NDC31HJ-181X	C CAP.	180pF 50V J
C1264	QETN1EM-476Z	E CAP.	47µF 25V M
C1265	NCB31HK-103X	C CAP.	0.01µF 50V K
C1266	QENC1EM-106Z	BP E CAP.	10µF 25V M
C1267	NDC31HJ-470X	C CAP.	47pF 50V J
C1268	NDC31HJ-101X	C CAP.	100pF 50V J
C1269	NDC31HJ-181X	C CAP.	180pF 50V J
C1272	NDC31HJ-390X	C CAP.	39pF 50V J
C1274	QETN1HM-105Z	E CAP.	1µF 50V M
C1276	QETN1HM-106Z	E CAP.	10µF 50V M
C1277	QETN1EM-476Z	E CAP.	47µF 25V M
C1278-80	NCB31HK-103X	C CAP.	0.01µF 50V K
C1281	NDC31HJ-150X	C CAP.	15pF 50V J
C1283-86	NCB31HK-103X	C CAP.	0.01µF 50V K
C1287	QETN1HM-474Z	E CAP.	0.47µF 50V M
C1288-90	NCB31HK-103X	C CAP.	0.01µF 50V K
C1291	QETN1EM-476Z	E CAP.	47µF 25V M
C1303	NCB31HK-103X	C CAP.	0.01µF 50V K
C1304	QETN1CM-107Z	E CAP.	100µF 16V M
C1305	NDC31HJ-100X	C CAP.	10pF 50V J
C1306	NCB31HK-223X	CHIP CAP.	0.022µF 50V K
C1307	QETN1HM-474Z	E CAP.	0.47µF 50V M
C1308	NCB31HK-103X	C CAP.	0.01µF 50V K
C1309	NDC31HJ-2R0X	C CAP.	2.0pF 50V J
C1352	NDC31HJ-680X	C CAP.	68pF 50V J
C1353	NDC31HJ-271X	CER. CAPACITOR	270pF 50V J
C1356	NCB31HK-104X	CHIP CAP.	0.1µF 50V K
C1374-76	NCS21HJ-561X	C CAP.	560pF 50V J
C1377	QETN1CM-107Z	E CAP.	100µF 16V M
C1391	QETN2EM-226	E CAP.	22µF 250V M
△ C1392	QCZ0121-102	C CAP.	1000pF 3kV Z
C1401	QETN1HM-225Z	E CAP.	2.2µF 50V M
C1402	QBHC1CK-225Z	TAN. CAP.	2.2µF 16V K
C1403	NCB31HK-102X	C CAP.	1000pF 50V K
C1421	NCB31HK-472X	C CAP.	4700pF 50V K
C1424	QEHR1HM-107Z	E CAP.	100µF 50V M
C1425	QEHR1VM-477Z	E CAP.	470µF 35V M
C1426	QFLC2AK-473Z	M CAP.	0.047µF 100V K
C1427	QEHQ1EM-228	E CAP.	2200µF 25V M
C1428	QFV21HJ-474Z	MF CAP.	0.47µF 50V J
C1429	QFV21HJ-224Z	MF CAP.	0.22µF 50V J
C1501	QETN1CM-107Z	E CAP.	100µF 16V M
C1502	QETN1HM-106Z	E CAP.	10µF 50V M
C1503	NCB31HK-103X	C CAP.	0.01µF 50V K
C1505	QETN1HM-106Z	E CAP.	10µF 50V M
C1511	QETN1EM-476Z	E CAP.	47µF 25V M
C1521	NCB31HK-332X	CHIP CAP.	3300pF 50V K
C1522	NCB31HK-822X	CHIP CAP.	8200pF 50V K
C1523	QEM61HK-105Z	E CAP.	1µF 50V K
△ C1524	QFZ0198-133	MPP CAP.	0.013µF1.5kVH±3%
△ C1525	QEZO203-107	E CAP.	100µF 160V M
△ C1526	QFZ0119-434	MPP CAP.	0.43µF 200V ±3%
C1527	QCB32HK-561Z	C CAP.	560pF 500V K
C1528	QCZ0325-391	C CAP.	390pF 2kV K
C1543	QETN1VM-477Z	E CAP.	470µF 35V M
C1545	QETN1CM-227Z	E CAP.	220µF 16V M
C1546	QETN1CM-477Z	E CAP.	470µF 16V M
C1548	QETN1CM-227Z	E CAP.	220µF 16V M
△ C1561	QETN1HM-106Z	E CAP.	10µF 50V M
C1562	QETN1HM-475Z	E CAP.	4.7µF 50V M
C1563	NCB31HK-103X	C CAP.	0.01µF 50V K
△ C1581	QETN2EM-106Z	E CAP.	10µF 250V M
C1582	NCB31HK-473X	CHIP CAP.	0.047µF 50V K
C1583	QETN1HM-225Z	E CAP.	2.2µF 50V M
C1584	QFLC2AJ-104Z	M CAP.	0.1µF 100V J
C1614	QETN1EM-108Z	E CAP.	1000µF 25V M
C1615	NRSA63J-OR0X	MG R	0.0Ω 1/16W J
C1616	QENC1HM-474Z	BP E CAP.	0.47µF 50V M
C1617	QETN1EM-476Z	E CAP.	47µF 25V M
C1618	QETN1CM-107Z	E CAP.	100µF 16V M
C1619	QETN1CM-477Z	E CAP.	470µF 16V M
C1620	NCB31HK-104X	CHIP CAP.	0.1µF 50V K

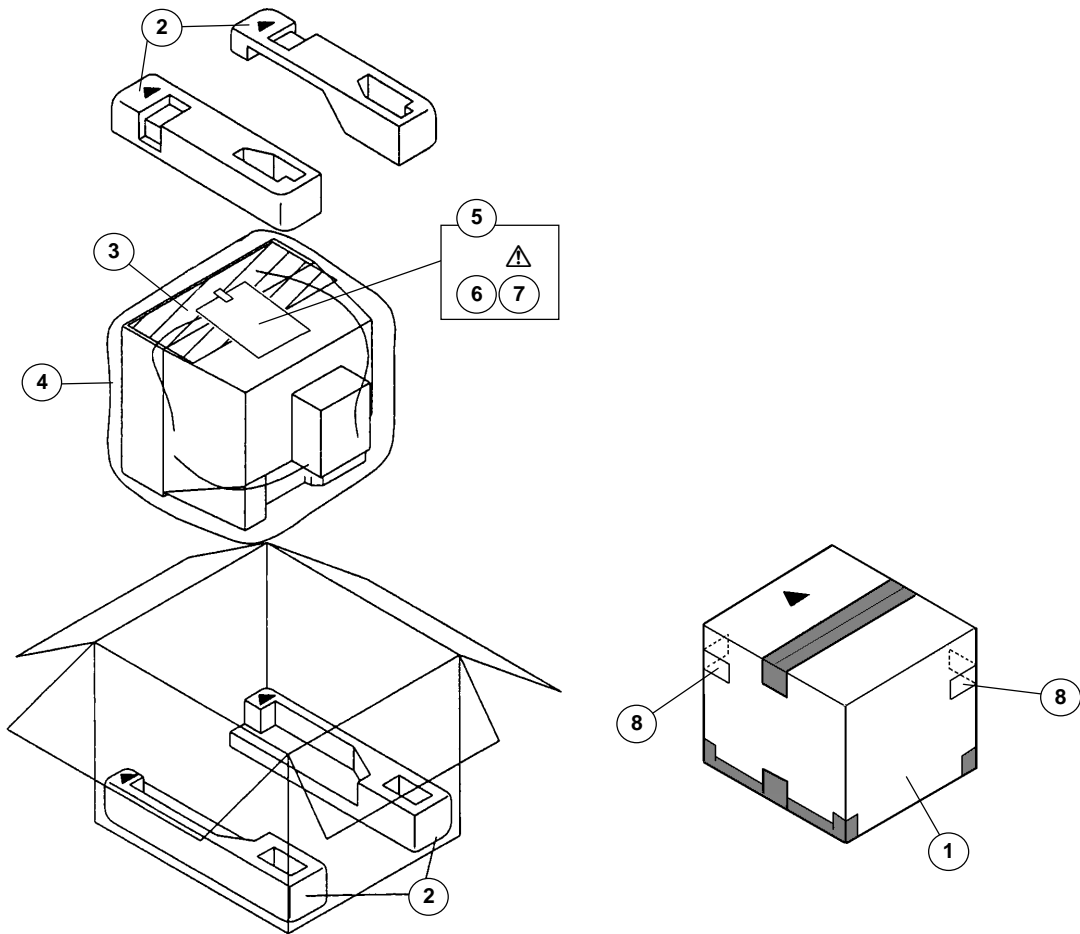
Symbol No.	Part No.	Part Name	Description
CAPACITOR			
C1621	NRSA63J-OR0X	MG R	0.0Ω 1/16W J
C1622	QENC1HM-474Z	BP E CAP.	0.47µF 50V M
C1623	QETN1EM-476Z	E CAP.	47µF 25V M
C1624	QETN1CM-107Z	E CAP.	100µF 16V M
C1625	QETN1CM-477Z	E CAP.	470µF 16V M
C1626	NCB31HK-104X	CHIP CAP.	0.1µF 50V K
C1627	QETN1CM-477Z	E CAP.	470µF 16V M
C1651	NCB31HK-103X	C CAP.	0.01µF 50V K
C1652	QETN1CM-107Z	E CAP.	100µF 16V M
C1653	QETN1EM-476Z	E CAP.	47µF 25V M
C1654	NCB31HK-104X	CHIP CAP.	0.1µF 50V K
C1655	QENC1HM-475Z	BP E CAP.	4.7µF 50V M
C1656	QENC1HM-105Z	BP E CAP.	1µF 50V M
C1657	QETN1HM-225Z	E CAP.	2.2µF 50V M
C1658	NCB31HK-473X	CHIP CAP.	0.047µF 50V K
C1659	QETN1HM-474Z	E CAP.	0.47µF 50V M
C1660-61	NCB31HK-104X	CHIP CAP.	0.1µF 50V K
C1662	QBTC1CK-335Z	TAN. CAP.	3.3µF 16V K
C1663	QETN1HM-105Z	E CAP.	1µF 50V M
C1664	QBTC1CK-106Z	TAN. CAP.	10µF 16V K
C1665-66	QETN1HM-105Z	E CAP.	1µF 50V M
C1667	QETN1HM-336Z	E CAP.	33µF 50V M
C1668	QETN1HM-105Z	E CAP.	1µF 50V M
C1669-70	QENC1HM-105Z	BP E CAP.	1µF 50V M
C1671	QETN1HM-225Z	E CAP.	2.2µF 50V M
C1672	NCB31HK-222X	CHIP CAP.	2200pF 50V K
C1673	NCB31HK-104X	CHIP CAP.	0.1µF 50V K
C1674	QETN1HM-225Z	E CAP.	2.2µF 50V M
C1675	NCB31HK-222X	CHIP CAP.	2200pF 50V K
C1676	NCB31HK-104X	CHIP CAP.	0.1µF 50V K
C1679	QETN1HM-105Z	E CAP.	1µF 50V M
C1680	QETN1EM-476Z	E CAP.	47µF 25V M
C1682-83	QETN1HM-474Z	E CAP.	0.47µF 50V M
C1685-86	QETN1HM-106Z	E CAP.	10µF 50V M
C1687-88	NCB31HK-472X	C CAP.	4700pF 50V K
C1689-90	QETN1HM-106Z	E CAP.	10µF 50V M
C1701	NDC31HJ-560X	C CAP.	560pF 50V J
C1703	NCB31HK-102X	C CAP.	1000pF 50V K
C1704	NCB31HK-103X	C CAP.	0.01µF 50V K
C1705	NDC31HJ-151X	C CAP.	150pF 50V J
C1706	NCB31HK-104X	CHIP CAP.	0.1µF 50V K
C1707	QETN1HM-105Z	E CAP.	1µF 50V M
C1708	NCS21HJ-221X	C CAP.	220pF 50V J
C1709	NCS21HJ-102X	C CAP.	1000pF 50V J
C1710	NDC31HJ-681X	C CAP.	680pF 50V J
C1711	QETN1HM-474Z	E CAP.	0.47µF 50V M
C1712	NCB31HK-102X	C CAP.	1000pF 50V K
C1714	NCB31HK-103X	C CAP.	0.01µF 50V K
C1716	QETN1EM-476Z	E CAP.	47µF 25V M
C1717	NCB31HK-104X	CHIP CAP.	0.1µF 50V K
C1718	NCB31HK-103X	C CAP.	0.01µF 50V K
C1719-20	QETN1CM-107Z	E CAP.	100µF 16V M
C1721	NCB31HK-104X	CHIP CAP.	0.1µF 50V K
C1722-23	NDC31HJ-5R0X	C CAP.	5.0pF 50V J
C1724	NCB31HK-103X	C CAP.	0.01µF 50V K
C1725	QETN1AM-227Z	E CAP.	220µF 10V M
C1726	NDC31HJ-470X	C CAP.	47pF 50V J
C1735	NCB31HK-103X	C CAP.	0.01µF 50V K
C1751	QETN1EM-476Z	E CAP.	47µF 25V M
C1801-03	QENC1HM-474Z	BP E CAP.	0.47µF 50V M
△ C1901	QFZ9040-104	MF CAP.	0.1µF AC275V M
△ C1902	QFZ9040-473	MF CAP.	0.047µF AC275V M
△ C1911	QCZ9074-472	C CAP.	4700pF AC250V M
△ C1912	QCZ9074-472	C CAP.	4700pF AC250V M
△ C1913	QCZ9074-472	C CAP.	4700pF AC250V M
△ C1914	QEZO429-477	E CAP.	470µF 200V M
C1921	QEHR2CM-335Z	E CAP.	3.3µF 160V M
C1922	QEHQ2CM-336	E CAP.	33µF 160V M
C1951	QETN1EM-227Z	E CAP.	220µF 25V M
C1953	QETN1EM-107Z	E CAP.	100µF 25V M
C1954	NCB31HK-473X	CHIP CAP.	0.047µF 50V K
C1956	QETN1HM-106Z	E CAP.	10µF 50V M
C1958	QETN1EM-107Z	E CAP.	100µF 25V M

AV-N29220/s

△ Symbol No.	Part No.	Part Name	Description
CAPACITOR			
C1959	QETN1HM-2262	E CAP.	22μF 50V M
△ C1981	QCZ9073-332	C CAP.	3300pFAC250V M
TRANSFORMER			
T1131	QQR0907-001	I. F. TRANSFORMER	
T1161	CEL7003-109J3	S. I. F. TRANSF.	
△ T1521	CE41106-00CJ1	DRIVE TRANSF.	
△ T1522	QOH0028-001	H. V. TRANSF.	
△ T1901	QQT0198-001	POWER TRANSF.	
COIL			
L1003	QQL03BJ-5R6Z	COIL	5.6μH J
L1102	QQL2014-R22	PEAKING COIL	
L1104	QQL03BJ-680Z	COIL	68μH J
L1131	QQL03BJ-220Z	COIL	22μH J
L1161	QQL03BJ-680Z	COIL	68μH J
L1162	QQL03BJ-390Z	COIL	39μH J
L1201	QQL03BJ-330Z	COIL	33μH J
L1252-53	QQL29BJ-4R7Z	PEAKING COIL	
L1255	QQL29BJ-6R8Z	PEAKING COIL	
L1256	QQL29BJ-150Z	PEAKING COIL	
L1271	QQL29BJ-150Z	PEAKING COIL	
L1351	QQL29BJ-150Z	PEAKING COIL	
L1391	QQL03BJ-390Z	COIL	39μH J
L1521	CELL004-001	LINEARITY COIL	
L1701	QQL03BJ-4R7Z	COIL	4.7μH J
L1709	QQL03BJ-100Z	COIL	10μH J
DIODE			
D1001	MTZJ33B-T2	ZENER DIODE	
D1003-04	MTZJ9.1C-T2	ZENER DIODE	
D1201	1S5133-T2	SI. DIODE	
D1202	1S5133-T2	SI. DIODE	
D1203	1S5133-T2	SI. DIODE	
D1252-54	MTZJ9.1C-T2	ZENER DIODE	
D1421	1N4003-T2	SI. DIODE	
D1422	MTZJ75-T2	ZENER DIODE	
D1423	1S5133-T2	SI. DIODE	
D1501	MTZJ9.1C-T2	ZENER DIODE	
D1511	MTZJ3.3A-T2	ZENER DIODE	
D1541	RGP10J-5025-T3	SI. DIODE	
D1542	1SR35-400A-T2	SI. DIODE	
D1543	RGP10J-5025-T3	SI. DIODE	
D1544	RGP10J-5025-T3	SI. DIODE	
D1561	1S581-T2	SI. DIODE	
△ D1562	MA4068N/Z1/-T2	ZENER DIODE	
D1563	1S5133-T2	SI. DIODE	
△ D1581	RH15-T3	SI. DIODE	
D1582	RGP10J-5025-T3	SI. DIODE	
D1583	MTZJ9.1C-T2	ZENER DIODE	
D1601	1S5133-T2	SI. DIODE	
D1602	1S5133-T2	SI. DIODE	
D1651-52	MTZJ9.1C-T2	ZENER DIODE	
D1656-57	MTZJ9.1C-T2	ZENER DIODE	
D1659-60	MTZJ9.1C-T2	ZENER DIODE	
D1704	1S5133-T2	SI. DIODE	
D1705	1S5133-T2	SI. DIODE	
D1706	1S5133-T2	SI. DIODE	
D1707	1S5133-T2	SI. DIODE	
D1711	1S5133-T2	SI. DIODE	
D1717-18	MTZJ9.1C-T2	ZENER DIODE	
D1751	SLR-342VR3F	L. E. D.	
D1804	MTZJ5.1B-T2	ZENER DIODE	
D1805	1S5133-T2	SI. DIODE	
△ D1911	D3SB60	BRIDGE DIODE	
D1941-44	1SR35-400A-T2	SI. DIODE	
D1951	MTZJ12C-T2	ZENER DIODE	
D1953	1SR35-400A-T2	SI. DIODE	
D1957	1S5133-T2	SI. DIODE	
D1958	1S5133-T2	SI. DIODE	
TRANSISTOR			
Q1101	2SC5083/L-P/-T	SI. TRANSISTOR	
Q1131-32	2SC2412K/QR/-X	SI. TRANSISTOR	
Q1161	2SC2412K/QR/-X	SI. TRANSISTOR	
Q1201-03	2SC2412K/QR/-X	SI. TRANSISTOR	
Q1262	2SC2412K/QR/-X	SI. TRANSISTOR	
Q1263-64	DTC124EKA-X	DIGI. TRANSISTOR	

△ Symbol No.	Part No.	Part Name	Description
TRANSISTOR			
Q1271	2SC2412K/QR/-X	SI. TRANSISTOR	
Q1273-74	2SC2412K/QR/-X	SI. TRANSISTOR	
Q1276	2SC2412K/QR/-X	SI. TRANSISTOR	
Q1278-79	2SC2412K/QR/-X	SI. TRANSISTOR	
Q1280	2SA1037AK/QR/-X	SI. TRANSISTOR	
Q1282	2SA1037AK/QR/-X	SI. TRANSISTOR	
Q1301	2SC2412K/QR/-X	SI. TRANSISTOR	
Q1351	2SC2412K/QR/-X	SI. TRANSISTOR	
Q1361	2SC2412K/QR/-X	SI. TRANSISTOR	
Q1371-73	2SC4544-LB	SI. TRANSISTOR	
Q1521	2SC2655/Y/-T	SI. TRANSISTOR	
△ Q1522	2SD2499-LB	SI. TRANSISTOR	H. OUT
Q1561	2SC2785/JH/-T	SI. TRANSISTOR	
Q1562	2SA933AS/QR/-T	SI. TRANSISTOR	
Q1602	DTC323TK-X	DIGI. TRANSISTOR	
Q1651-54	2SC2412K/QR/-X	SI. TRANSISTOR	
Q1655	2SA1037AK/QR/-X	SI. TRANSISTOR	
Q1701-03	2SC2412K/QR/-X	SI. TRANSISTOR	
Q1704	DTC323TK-X	DIGI. TRANSISTOR	
Q1951	2SC2412K/QR/-X	SI. TRANSISTOR	
Q1952	2SA966/OY/-T	SI. TRANSISTOR	
Q1953	2SC2412K/QR/-X	SI. TRANSISTOR	
IC			
IC1001	AN7805F	I. C. (MONO-ANA)	
IC1201	TA1242N	I. C. (MONO-ANA)	
IC1251	BA7612N	I. C. (MONO-ANA)	
IC1252	TC90A45P	I. C. (DIGI-MOS)	
IC1253	AN78L05-T	I. C. (MONO-ANA)	
IC1271	TC4066BP/N/	I. C. (DIGI-MOS)	
△ IC1421	LA7832	I. C. (MONO-ANA)	
IC1541	AN7809F	I. C. (MONO-ANA)	
△ IC1602	LA4446	I. C. (MONO-ANA)	
IC1651	UPC1851BCU	I. C. (MONO-ANA)	
IC1652	BA15218N	I. C. (MONO-ANA)	
IC1701	M3727MA-313SP	I. C. (MICRO-COMP)	
IC1702	AT24C02-2722OR	I. C.	(SERVICE)
IC1703	L78LR05E-MA	I. C. (MONO-ANA)	
IC1751	GP1U281Q	IFR DETECT UNIT	
△ IC1921	STR30134	I. C. (H)	
IC1951	TA78L009AP-T	I. C. (MONO-ANA)	
OTHERS			
LC30190-001B-A	L. E. D. HOLDER		
CF1001	QAX0349-001	CERAMIC FILTER	
CF1131	CE41505-001	CERAMIC FILTER	
CF1161	SF5H4.5MCB	CERAMIC FILTER	
CF1501	CSB503F30-T2	CER. RESONATOR	
CF1701	CST8.00MTW	CER. RESONATOR	
CF1702	QAX0428-001	CER. RESONATOR	
△ CN10PW	QMPD200-200-JC	POWER CORD	
△ F1901	QMF0007-6R3J1	FUSE	6.3A
△ F1902	QMF0007-1R25J1	FUSE	1.25A
FC1901	CEMG002-001Z	FUSE CLIP	
FC1902	CEMG002-001Z	FUSE CLIP	
△ FR1720	QRZ9017-820	F R	82 Ω 1/4W J
△ LF1901	QQR0864-002	LINE FILTER	
△ RY1901	QSK0083-001	RELAY	
△ TH1901	CEK007-002	P. THERMISTOR	
△ TU1001	QAU0199-001	TUNER	
J1003	QNZ0454-001	PIN JACK	
J1004	QNN0348-001	PIN JACK	
J1005	QNN0281-003	PIN JACK	
J1006	QNN0281-002	PIN JACK	
J1007	QNN0282-001	PIN JACK	
K1251	CE41433-001Z	BEADS CORE	
K1252	QQR0582-001Z	BEADS CORE	
K1253	CE41433-001Z	BEADS CORE	
K1701	QQR0582-001Z	BEADS CORE	
S1751	QSW0619-003Z	PUSH SWITCH	MENU
S1752	QSW0619-003Z	PUSH SWITCH	CH-
S1753	QSW0619-003Z	PUSH SWITCH	CH+
S1754	QSW0619-003Z	PUSH SWITCH	VOL-
S1755	QSW0619-003Z	PUSH SWITCH	VOL+
△ S1756	QSW0619-003Z	PUSH SWITCH	POWER
SF1101	CE42589-201	SAW FILTER	
△ SK1371	CE42535-001J1	C. R. T. SOCKET	
△ VA1901	ERZV10V361CS	VARIATOR	
X1301	QAX0310-001Z	CRYSTAL	

PACKING



PACKING PARTS LIST

AV-N29220/R / AV-N29220/S

△ Ref.No.	Part No.	Part Name	Description
1	LC10181-019A-A	PACKING CASE	4pcs in 1set
2	LC10083-002A-A	CUSHION ASSY	
3	CP30055-001-A	TOP COVER	
4	CP30056-008-A	POLY BAG	
5	QPA02503505	POLY BAG	2pcs in 1set
6	RM-C306-1A	REMOCON UNIT	
7	LCT1015-001B-A	INST.BOOK	
8	CM36616-001-A	CORNER LABEL	

